

## CONTENTS

1

- 2 Introduction
- 3 Safety Instructions
- 4 Installation
- 5 Setup Diagram
- 6 Package Contents
- 7 Resources

## OPERATING ENVIRONMENT

Power Supply	DC12V±10%
Temperature	-30°C~60°C
Humidity	10%~95%
Altitude	-60m~3000m
Atmosphere	86kpa~106kpa

## INTRODUCTION

2

Thank you for purchasing our product. We make every effort to update and ensure accuracy of the information contained in this manual, which may be subject to change from time to time without prior notice. For any questions or needs, please feel free to contact us at any time.

## INSTALLATION

4

1. Place mounting template sticker in area where you will be mounting camera to surface that can sustain weight of camera.

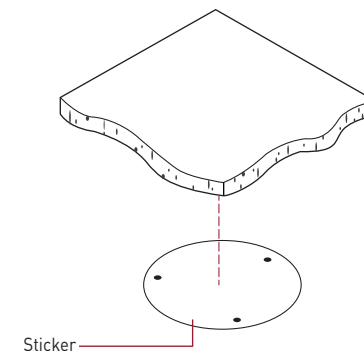


## FIXED TURRET DOME CAMERA QUICK START GUIDE

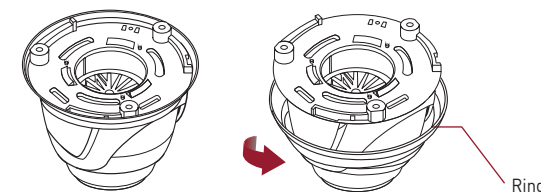
## SAFETY INSTRUCTIONS

3

- 1) Please comply with the power supply specifications as required for this equipment and select the correct power supply.
- 2) In the case that equipment fails to operate properly, immediately contact the manufacturer or the nearest service center. Please do not attempt to disassemble the product or attempt to modify the product in any manner, which may void warranty.
- 3) For cleaning of the lens, be sure to use compressed air or a dedicated lens cleaner. For cleaning of the plastic shield, use a soft and dry microfiber cloth to wipe it. Do not use any detergents containing alcohol or benzene.
- 4) Do not drop any object onto the device or knock heavy objects onto the equipment.
- 5) Do not put the camera toward any strong light source (including lighting lamp or sun), which may cause over-exposure or light leakage (not due to defect of the product) and impair useful life of the camera.
- 6) Avoid use of the equipment in any environment other than as suggested in this manual.
- 7) Prevent water or any other liquid from flowing into the equipment.
- 8) For replacement of any parts, contact the distributor. Changing any parts in the device without authorization is not permitted and may void warranty.



2. Remove the ring off the camera by rotating it down to separate from magnets.

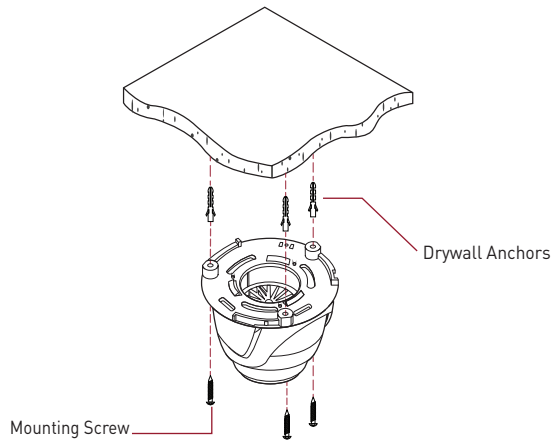


HD Analog 2MP/5MP/8MP Cameras

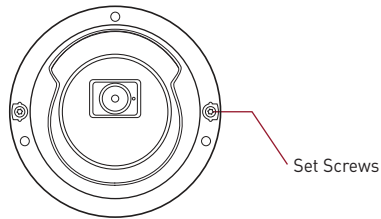
HD-TVI / CVI / AHD / CVBS

3. Drill into surface at marked drill holes deep enough to accommodate for mounting hardware.

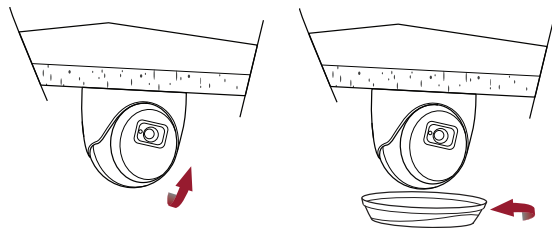
- If using the included hardware, insert the three drywall anchors into holes in the mounting surface and align holes in camera mounting plate with anchors. Then use included screws to secure mounting plate and camera to surface.



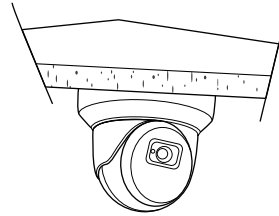
4. Loosen set screws (pictured below) with included security wrench.



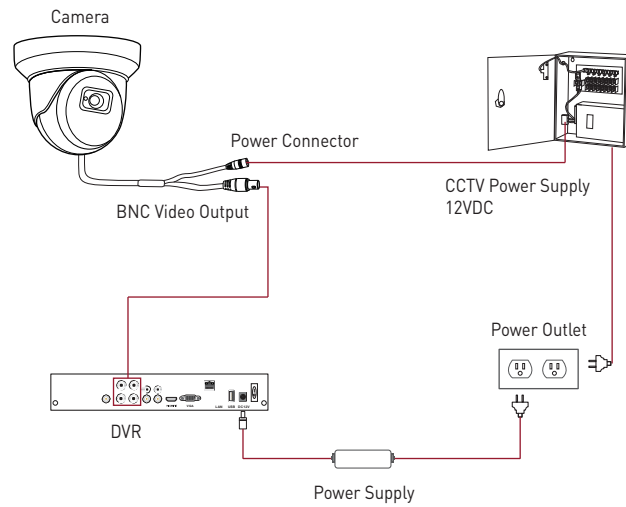
Adjust the camera to desired angle, then tighten screws and then place the magnetic ring back onto the camera.



5. Installation complete.



### SETUP DIAGRAM

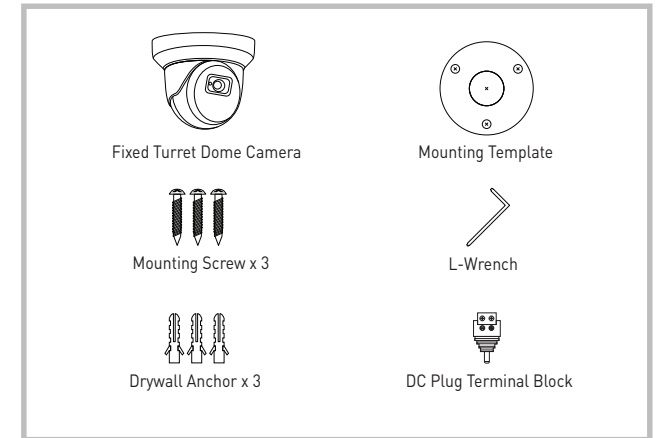


#### CAUTION

PLEASE CONFIRM THAT VOLTAGE OF POWER SUPPLY USED MATCHES POWER REQUIRED BY CAMERA, OTHERWISE PERMANENT DAMAGE OR RISK OF FIRE MAY OCCUR

### PACKAGE CONTENTS

6

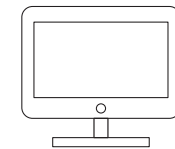


### RESOURCES

7

#### Need help?

Visit us online for up-to-date software and complete instruction manuals.



- 1) Visit [www.avycon.com](http://www.avycon.com)
- 2) Search for the model number of your product.
- 3) Click on your product and (nd appropriate documents on product page.

Technical Support E-mail :  
 Technical Support Website :  
 US Helpdesk Number :  
 Toll Free Number (Canada) :

[support@avycon.com](mailto:support@avycon.com)  
[www.avycon.com](http://www.avycon.com)  
 1 (949) 752-7606  
 1 (888) 833-4611  
 [M-F, 6am-5pm PST]